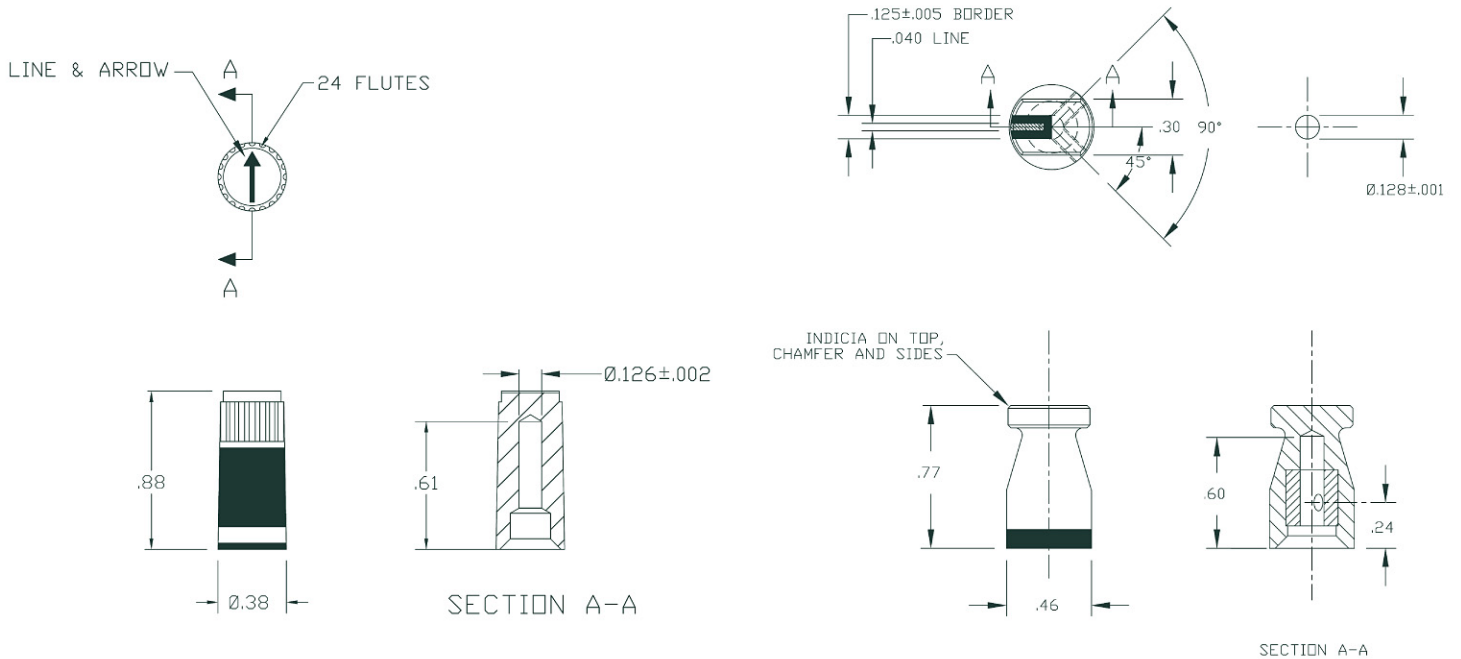


TRANSILLUMINATED CPK SERIES



CPK SERIES

Style Number	A Base Diameter	B Height	E Set Screw Height	F Shaft Hole Depth	Set Screws
					1/8
29-01059	0.38	0.88	w/o	0.61	-
29-01061	0.38	0.88	w/o	0.61	-
29-01067	0.38	0.88	w/o	0.61	-
29-01064	0.46	0.77	0.15	0.60	MS51021-101

Design Variations

- Set screw locations can vary
- Markings and color can vary according to customer specifications
- Multiple stripes and colors are available
- Multiple shaft diameters are available with and without set screws

Detailed drawings are available for each style

All of our backlit knobs can be manufactured for night vision use. Our night vision knobs meet NVIS "Green A" requirements.

